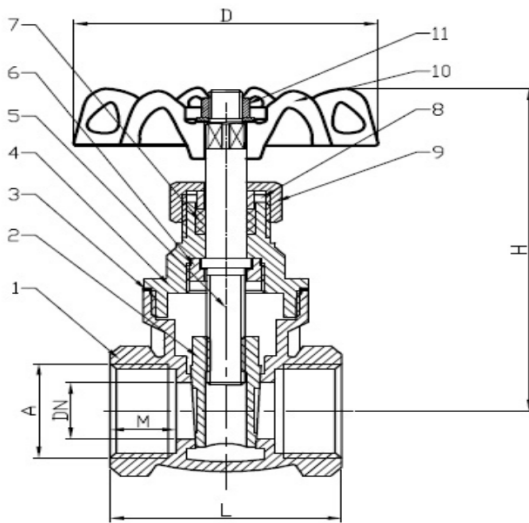


Gate valve brass with PTFE seal thread BSPT/BSPP PN20

Features

- 20 Bar Rated (16 Bar for 2 1/2" to 4")
- Working Temperature -10 to +80 °C
- Steel Handle
- BSPT Threads (BSPP 3/8", 2 1/2" to 4")



Part	Name	Material
1	Body	Brass
2	Disk	Brass
3	Seal	PTFE
4	Bonnet	Brass
5	Stem	Brass
6	Nut	Brass
7	Packing	PTFE
8	Washer	Brass
9	Nut	Brass
10	Handle	Steel
11	Nut	Brass

A (SIZE)	DN	L	H	M	D	Kgs
3/8"	10	37	65	10	51	0.16
1/2"	15	43	76	12	55	0.26
3/4"	20	48	90	13	55	0.34
1"	25	52	96	16	60	0.44
1 1/4"	32	58	117	17	73	0.70
1 1/2"	40	62	121	17	73	0.89
2"	50	70	143	18	77	1.45
2 1/2"	65	81	184	21	100	3.10
3"	80	97	210	22	107	3.70
4"	100	102	250	25	140	5.80